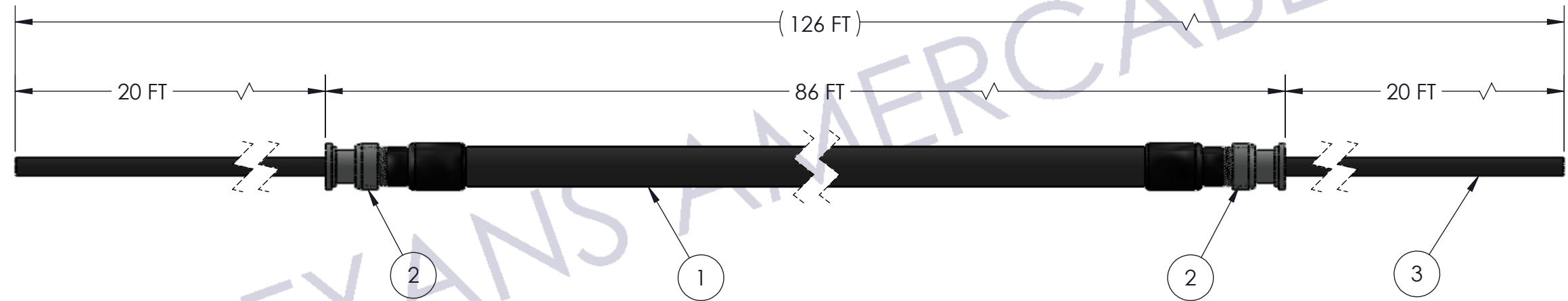


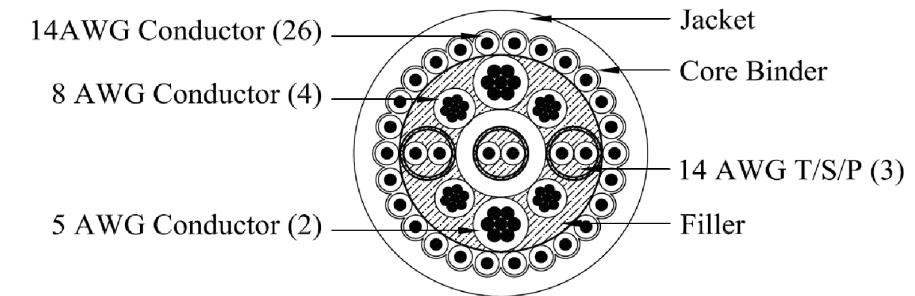
CUSTOMER APPROVAL

PRINT:	
SIGNATURE:	
DATE:	



NEXANS AMERCABLE

CABLE VIEW



ITEM	DESCRIPTION	UNIT	QTY.
1	2IN PROTECTIVE HOSE, 86 FT LONG	EA	1
2	2IN FLANGE	EA	2
3	SERVICE LOOP CONTROL CABLE	FT	126

NOTES:

1. UNLESS NOTED, ALL PARTS SHALL BE PERMANENTLY IDENTIFIED:

- MACHINED PARTS: STAMP, ETCH OR ENGRAVE DRAWING NUMBER, REVISION, AND PURCHASE ORDER NUMBER.
- WELDMENTS: APPLY DRAWING NUMBER AND REVISION USING LOW STRESS STAMPS.
- FABRICATED PARTS AND SHAPES: APPLY DRAWING NUMBER AND REVISION USING PAINT MARKER.

2. ALL PRINTS AND COPIES SHALL BE RETURNED UPON JOB COMPLETION UNLESS OTHERWISE SPECIFIED IN WRITING BY AMERCABLE SYSTEMS.

REV	BY	DESCRIPTION	DATE
A	JATM	ISSUED FOR APPROVAL.	4/19/2016

COPYRIGHT AMERCABLE SYSTEMS. ALL INFORMATION IN THIS DOCUMENT IS PROPRIETARY AND CONFIDENTIAL, AND SHALL REMAIN THE SOLE PROPERTY OF AMERCABLE SYSTEMS. THIS DOCUMENT SHALL NOT BE USED, COPIED OR REPRODUCED IN WHOLE OR IN PART, NOR SHALL BE REVEALED IN ANY MANNER TO OUTSIDE PARTIES WITHOUT PRIOR WRITTEN PERMISSION FROM AMERCABLE SYSTEMS.

MATERIAL SPECIFICATIONS:
N/A

HEAT TREATMENT/SPECIAL PROCESS:

ALL DIMENSIONS IN INCHES UNLESS OTHERWISE NOTED

TOLERANCES UNLESS OTHERWISE NOTED:
-0% + 2% OAL

TITLE: CONTROL LOOP			
PROJECT: --			
DRAFTED: MATOS, J.	DATE: 4/19/2016	SCALE: NTS	
DFTG CHECK: TENG, L.	DATE: 4/19/2016	SHEET SIZE: B	
ENG CHECK:	DATE:	WEIGHT:	
PART/DWG NO.: 50-3701249	REV.: A	PAGE: 1 of 1	

