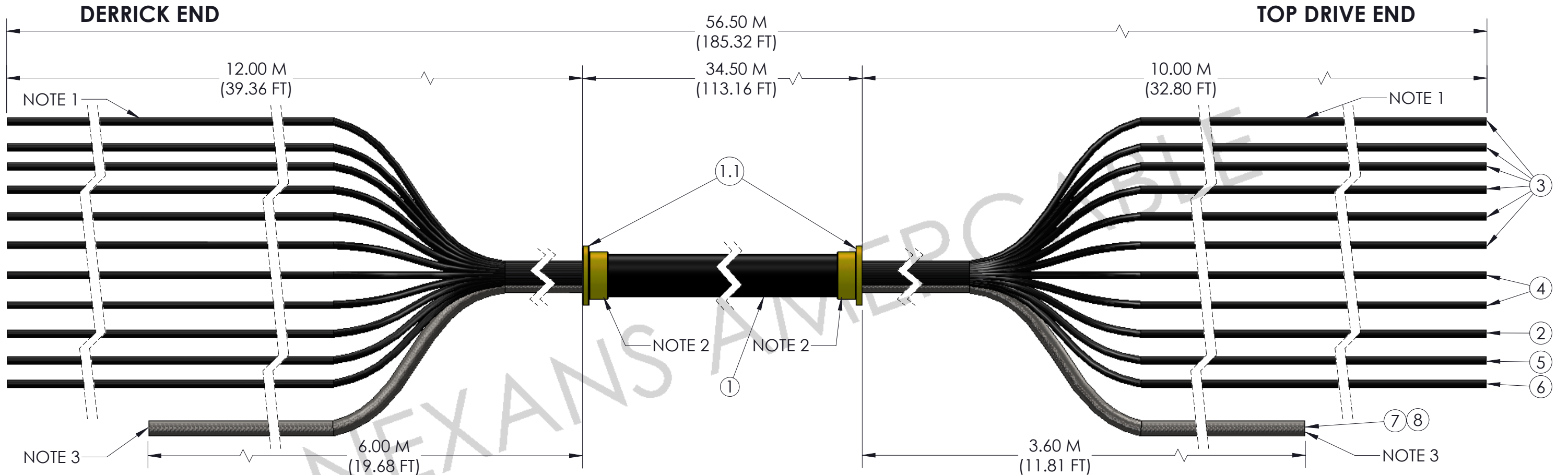


**CUSTOMER APPROVAL**

PRINT: \_\_\_\_\_  
 SIGNATURE: \_\_\_\_\_  
 DATE: \_\_\_\_\_



ITEM NO.	PART NUMBER	DESCRIPTION	UNIT	QTY.
1	HO-T60B1132T222	6.0IN PROTECTIVE HOSE, 113.2FT LONG	EA	1
1.1	D1401-00101	6IN NOV FLANGES	EA	2
2	37102118BS	3/0 1/C MARINE GEXOL A&S	M	56.5
3	37102124BS	535 KCMIL 1/C MARINE GEXOL A&S	M	6 X 56.5
4	374497838	12 AWG (65W) 3/C MARINE GEXOL A&S	M	2 X 56.5
5	374497839	10 AWG (104W) 3/C MARINE GEXOL A&S	M	56.5
6	374497992BS	14 (41W) 3/C MARINE GEXOL A&S	M	56.5
7	NSP00916	1-1/4IN HOSE, 144.65FT LONG	EA	1
8	NSP00114	N20-52FMS-SS, DIN 2353 STRONG SERIES FEMALE FITTING	EA	2

NOTE 1: APPLY A SINGLE OFFSET EYE GRIP ON EACH LEAD IN BOTH ENDS  
 NOTE 2: END CAP BOTH FLANGES  
 NOTE 3: ITEM 8 IS NOT SHOWN, IT WILL BE INSTALLED AND TESTED IN HYD. HOSE.

NOTES: 1. UNLESS NOTED, ALL PARTS SHALL BE PERMANENTLY IDENTIFIED: -MACHINED PARTS: STAMP, ETCH OR ENGRAVE DRAWING NUMBER, REVISION, AND PURCHASE ORDER NUMBER. -WELDMENTS: APPLY DRAWING NUMBER AND REVISION USING LOW STRESS STAMPS. -FABRICATED PARTS AND SHAPES: APPLY DRAWING NUMBER AND REVISION USING PAINT MARKER. 2. ALL PRINTS AND COPIES SHALL BE RETURNED UPON JOB COMPLETION UNLESS OTHERWISE SPECIFIED IN WRITING BY AMERCABLE SYSTEMS.				<p>COPYRIGHT AMERCABLE SYSTEMS. ALL INFORMATION IN THIS DOCUMENT IS PROPRIETARY AND CONFIDENTIAL, AND SHALL REMAIN THE SOLE PROPERTY OF AMERCABLE SYSTEMS. THIS DOCUMENT SHALL NOT BE USED, COPIED OR REPRODUCED IN WHOLE OR IN PART, NOR SHALL BE REVEALED IN ANY MANNER TO OUTSIDE PARTIES WITHOUT PRIOR WRITTEN PERMISSION FROM AMERCABLE SYSTEMS.</p>	MATERIAL SPECIFICATIONS:  HEAT TREATMENT/SPECIAL PROCESS:  ALL DIMENSIONS IN INCHES UNLESS OTHERWISE NOTED  TOLERANCES UNLESS OTHERWISE NOTED: CABLE BUNDLE: -0%, +1% OAL	TITLE: <b>POWER 1</b> OEM P/N: V3410-D1401-A0001, REV.1		
						DRAFTED: <b>MATOS, J.</b> DATE: <b>5/23/2017</b> SCALE: <b>NTS</b>		
						DFTG CHECK: <b>TENG, L.</b> DATE: <b>5/23/2017</b> SHEET SIZE: <b>B</b>		
						ENG CHECK: DATE: WEIGHT:		
	<b>A</b>	<b>JATM</b>	<b>ISSUED FOR APPROVAL.</b>	<b>5/23/2017</b>		PART/DWG NO.: <b>50-3701377</b>	REV.: <b>A</b>	PAGE: <b>1 of 1</b>
REV	BY	DESCRIPTION	DATE	THIRD ANGLE PROJECTION DO NOT SCALE DRAWING				